

Recessed CE7035

# CE7035-A60





## CE7035-A60

### Basic Parameters

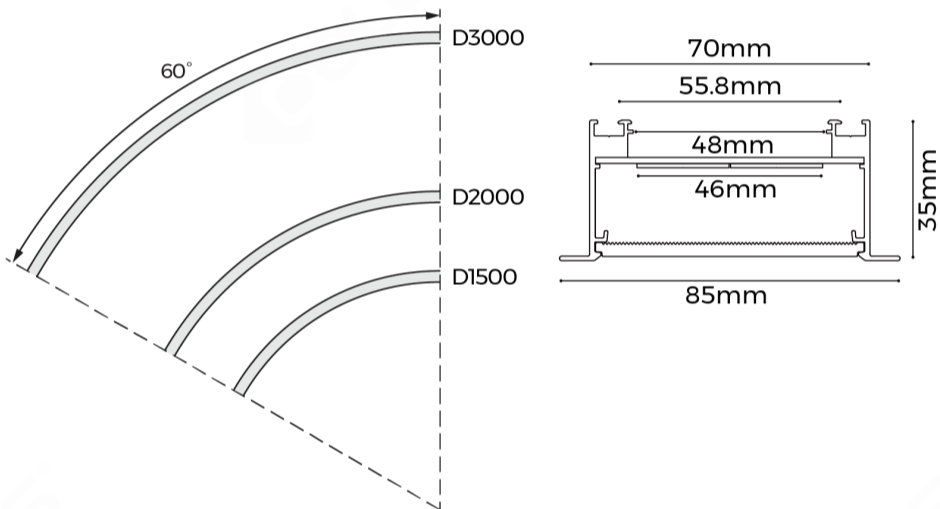
Application	Indoor
Material	AL6063-T5,spraying surface
IP Grade	IP20
Warranty	5 years

### Electrical Parameters

### Optical Parameters

Length	D1500mm,D2000mm,D3000mm
Luminous Efficacy	85LM/W

### Dimensions

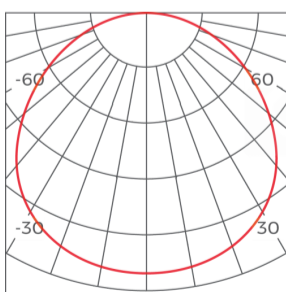


### Luminaire Parameters

Version	Size(mm)	Power(W)	PCB Current(A)	CRI	CCT	Lumens(LM) @White, Sliver	Lumens(LM) @Black
Regular	D1500mm	43	1.79	>80	4000K	3655	3106
Regular	D2000mm	58	2.42	>80	4000K	4930	4190
Regular	D3000mm	89	3.71	>80	4000K	7565	6430
Regular	D1500mm	43	1.79	>90	4000K	3143	2671
Regular	D2000mm	58	2.42	>90	4000K	4239	3603
Regular	D3000mm	89	3.71	>90	4000K	6505	5530

### Light Distribution

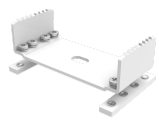
Regular-110°



h(m)	D(cm)	E(lx)
1	1151	68
2	571	237
3	856	101
4	1142	57

### Common Accessories

## Splicing accessory



### EX-E17

Applicable product model: CS7035/CE7035 Material process:SPCC/ Electroplating Size: L66.5\*W30\*H18mm Quantity: 1 PCS/SET Other:Includes mounting screws.

## Dedicated light source



### DM51202423

Applicable product model: CS5035/CS5070/CE5035(stick a single strip)  
CS7035/CS7070/CE7035(paste two strips placed parallel to each other)  
Size: 4000\*23\*1.5mm/5000\*23\*1.5mm  
Cutting Unit:50mm  
Input Voltage:DC24V  
Typ.Power:14.4W/M(5M/roll); 24W/M(4M/roll)  
Typ.luminous flux:  
800LM/M@RGBNW(5M/roll)  
1320LM/M@RGBNW(4M/roll)  
CCT:RGB(DMX)+2700/RGB(DMX)+3000/RGB(DMX)+4000/RGB(DMX)+6000K  
CRI: RA80 @ white light  
Other:20# wire diameter,outer diameter 5.5mm, PVC material;5PIN red/black/green/blue/white wire



### DS81602423

Applicable product model: CS5035/CS5070/CE5035(stick a single strip)  
CS7035/CS7070/CE7035(paste two strips placed parallel to each other)  
Size: 4000\*23\*1.5mm/5000\*23\*1.5mm  
Cutting Unit:50mm  
Input Voltage:DC24V  
Typ.Power:14.4W/M(5M/roll); 24W/M(4M/roll)  
Typ.luminous flux:  
2300LM/M@RA80,4000k(5M/roll)  
3600LM/M@RA80,4000k(4M/roll)  
CCT: 2700/3000/3500/4000/5000/6500K  
CRI: 80/90  
Other:18# wire diameter,PVC material, 2PIN red-black wire



### DS83202423

Applicable product model:CS5035/CS5070/CE5035(stick a single strip)  
CS7035/CS7070/CE7035(paste two strips placed parallel to each other)  
Size: 3000\*23\*1.5mm/4000\*23\*1.5mm  
Cutting Unit:50mm/16LEDs  
Input Voltage:DC24V  
Typ.Power:  
48W/M(2700K+6500K)@3M/roll  
28.8W/M(2700K+6500K)@4M/roll  
Typ.luminous flux:  
4000LM/M@RA80,2700K+6500K(4M/roll)  
6700LM/M@RA80,2700K+6500K(3M/roll)  
CCT: 2700K+6500K  
CRI: 80/90  
Other:Outer diameter 6mm,18# wire diameter, brown-blue-green 3PIN crystal wire

## Cover



### CV-CS7035D

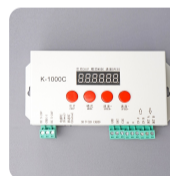
Applicable product model:CS7035/CS7070/CE7035(suitable for down-lighting)  
Diffuser Nature: Diffuser  
Material process: Silica gel flexible/smooth  
Light transmittance:≥65%  
Size: 20000\*67.2\*5mm  
Other: Fire protection rating UL94-V2 ;

## Controller



### CR2-GBA

Product Name: CR2-GBA Input Voltage: 12-48V Output Current:8A\*2CH,Max 16A Output Power:192W/384W@12V/24V , 384W/576W@36V/48V Dimming Mode: Two-color 2.4 remote control IP:IP20 Product Size:L175\*W45\*H27(mm)



### K-1000C

Product Name: K-1000C Input voltage: 5-24V Control Pixel Points:Point Control 1CH\*1024(SPI),Point Control 1CH\*512(DMX) Dimming mode:DMX/SPI control IP:IP20Warranty: 5 years



### K-8000C

Product Name: K-8000C Input Voltage: 5-24V Control Pixel Points:Point Control 8CH\*1024(SPI),Point Control 8CH\*512(DMX) Dimming mode:DMX/SPI control IP:IP20Warranty: 5 years

## End cap accessory



### EC-ME7035

Applicable product model: ME7035  
Material process: aluminum/ powder spraying Size: L85\*W35\*H2.5mm Quantity:2PCS/ set

## Installation accessory



### CP-55

Applicable product model: MS7035/MS7070/ME7035 Applicable installation: Pendant/Ceiling/Recessed Material process: Stainless Steel Size: L57.87\*W20\*H5.4mm Quantity: 4 PCS/SET



### RB-04

Applicable product model: ME3535/ME5035/ME7035 Installation method: Recessed Material process: aluminum alloy/oil spray Size: 24\*6.9\*15.7mm Quantity: 4PCS/ set

## CCT-Remote control



### R7-1

Product Name:R7-1 Dual Color Remote Working Voltage : 3VDC (Battery CR2032) Operating Frequency:2.4GHz Remote Control Distance: 30 meters Operating Temperature: -30°C~55°C Product Size: L107\*W58.5\*H9(mm)

## Power Supply

### BK-DEV200-24V0D



Applicable product model: General Dimming mode: DALI2,PUSH-dimming,1-10V 3in1 dimming Size: 361\*33.1\*22.8mm Input voltage: AC200~240V Operating frequency: 50/60Hz PF value: ≥0.9 Output voltage: DC24V Output current: ≤8.3A Power: 200W Efficiency: 0.92 Certification: TUV, CE, RCM Case material: Metal housing

### BK-DGVX-24V0D



Product Name: BK-DGV036-24V0D/BK-DGV060-24V0D/BK-DGV100-24V0D  
Applicable product model: General Output power: 36W/60W/100W Output current: ≤1.5A/≤2.5A/≤4.2A Product size: 245.0\*30.0\*21.0mm/285.0\*30.0\*21.0mm/355.0\*30.0\*21.0mm  
Input voltage: AC200-240V  
Input voltage: AC200~240V  
Operating frequency: 50/60Hz  
Output voltage: DC24V  
PF value: ≥0.9  
Efficiency: ≥0.88  
IP: IP20  
Dimming mode: DALI-2, PUSH-Dimming, 1-10V 3in1 Dimming  
Certification: CE, ENEC, UKCA, RCM, CCC, EL  
Material: Metal housing  
Warranty: 5 years

### BK-MEV200-24V0M



Applicable product model: General Dimming mode: 1-10V Dimming Size: 321.5\*48\*30mm Input voltage: AC200~240V Operating frequency: 50/60Hz PF value: ≥0.9 Output voltage: DC24V Output current: ≤8.3A Power: 200W Efficiency: 0.93 Certification: CE, ENEC, UKCA, RCM, CCC, EL Case material: Metal housing

### BK-MGVX-24V0M



Product Name: BK-MGV036-24V0M/BK-MGV060-24V0M/BK-MGV100-24V0M  
Applicable product model: General Output power: 36W/60W/100W Output current: ≤1.5A/≤2.5A/≤4.2A Product size: 245.0\*30.0\*21.0mm/285.0\*30.0\*21.0mm/355.0\*30.0\*21.0mm  
Input voltage: AC200-240V  
Operating frequency: 50/60Hz  
Output voltage: DC24V  
PF value: ≥0.9  
Efficiency: ≥0.89  
IP: IP20  
Dimming mode: 1-10V Dimming  
Certification: TUV, CE, ENEC, RCM  
Material: Metal housing  
Warranty: 5 years

### LF-GHYXH24



Applicable product model: General Dimming mode: Non-Dimming Size: 316\*30.7\*22.8mm / 361\*33.1\*22.8mm  
Input voltage: AC220-240V  
Operating frequency: 50/60Hz  
PF value: ≥0.9  
Output voltage: DC24V  
Output current: ≤4.25A / ≤10A  
Power: 100W / 240W  
Efficiency: 0.92  
Certification: ENEC, CE, CB, RCM, UKCA, MM, CCC  
Case material: Plastic

## Packing

QTY/CTN	N. WT (ctn)	G.WT (ctn)	Size (cm/carton)	Product Size (mm)
15	11.8	12.98	82*55*21	D1500*70*35mm
12	9	9.9	106.5*52*21	D2000*70*35mm
12	16.4	18.04	156.5*61*21	D3000*70*35mm